

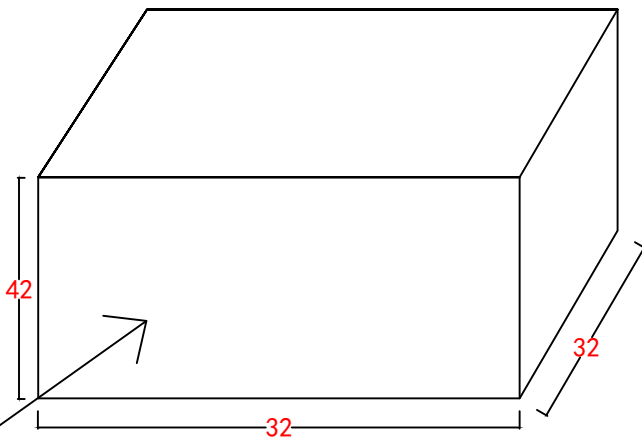
NOTE:ALL MATERIAL COMPLIANT ROHS STANDARD

REVISION INFORMATION			
Rev.	Rev.Date	Modified By	Brief Description

Unit package
 Size: 6 * 6 * 40
 Weight: 0.99 LBS



SIDE MARK (TWO SIDES)



		RoHS Compliant
--	--	-------------------

P/N: 210939
 Q'TY: 25 pcs
 N.W: 11.3 KGS
 G.W: 12.3 KGS
 Date Code: 28-2017
 Vender Code: PS01220

MAIN MARK (TWO SIDES)

P/O: 1700769
 P/N: 210939
 Q'TY: 25PCS
 C/NO: C01...

Carton Size: 32 * 32 * 42
 Carton Quantity: 25 pcs
 Carton Weight: 27 LBS

MADE IN CHINA

DRAWN BY	DATE: 2017.06.17	DESCRIPTION: 120L 5mm LED Star Light 50cm (19.7") Open Dia IP44 Outdoor AC Powered
CHECKED BY	SHEET 1 of 1	ITEM NO. 210939
APPROVED BY	SCALE 1:1	REV.00 UNIT:cm

NO.	PART NAME	SPECIFICATION DESCRIPTION	QTY	UNIT
③				
②				
①				